

# CUSTOMER DATA

PART NO.

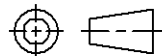
1432876-1

SHT. 1  
OF 2

|                      |                       |                              |              |
|----------------------|-----------------------|------------------------------|--------------|
| DRAWN<br>N.TABAKOVIC | APPROVAL<br>L.BENNETT | DATE FIRST_DRAWN<br>10-24-06 | SCALE<br>1:1 |
|----------------------|-----------------------|------------------------------|--------------|

CUSTOMER  
TYCO-STANDARD

TOLERANCE 0.X = +/-  
UNLESS 0.XX = +/-  
SPECIFIED 0.XXX = +/-  
OTHERWISE ANGLES = +/-



DO NOT SCALE THIS DRAWING

CHANGES

| REV. | DATE     | CO         | APP. |
|------|----------|------------|------|
|      | 10-24-06 | RELEASE NT | LB   |
|      |          |            |      |

ELECTRICAL CHARACTERISTICS: (ALL DATA APPLIES @ 23°C UNLESS OTHERWISE SPECIFIED)

COIL DATA:

NOMINAL VOLTAGE: 24 VDC  
 OPERATE VOLTAGE: 15.6 VDC MAXIMUM  
 RELEASE VOLTAGE: 2.4 VDC MINIMUM  
 COIL RESISTANCE: 360 OHMS +/- 10%  
 OPERATE TIME: 10 mSEC. MAXIMUM EXCLUDING BOUNCE  
 RELEASE TIME: 13 mSEC. MAXIMUM EXCLUDING BOUNCE  
 TEMPERATURE RANGE: OPERATING -40°C TO +85°C

CONTACT DATA: (CONTACT DATA IS FORMATTED N.O./N.C.)

CONTACT ARRANGEMENT: 1 FORM C (SPDT)  
 CONTACT MATERIAL: AgSnO (SILVER TIN-OXIDE)  
 CONTACT MILLIVOLT DROP: 200mv @ 35A ON N.O. CONTACTS (AFTER SWITCHING)  
 250mv @ 20A ON N.C. CONTACTS (AFTER SWITCHING)  
 MAXIMUM MAKE CURRENT: 90A/30A (LAMP) @ 16 VDC  
 MAXIMUM BREAK CURRENT: 40A/30A @ 16 VDC RESISTIVE  
 MAXIMUM CONTINUOUS CURRENT: 40A/30A @ 23°C , 35A/20A @ 85°C  
 INITIAL BREAKDOWN CURRENT 500V RMS CONTACTS TO COIL

EXPECTED LIFE: 100,000 OPERATIONS, 40 A, 14 VDC RESISTIVE ON NORMALLY OPEN CONTACT

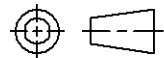
MECHANICAL CHARACTERISTICS:

EXPECTED LIFE: 10 MILLION OPERATIONS, NO CONTACT LOAD  
 TERMINALS BRASS, UNPLATED

|                      |                       |                              |              |
|----------------------|-----------------------|------------------------------|--------------|
| DRAWN<br>N.TABAKOVIC | APPROVAL<br>L.BENNETT | DATE FIRST_DRAWN<br>10-24-06 | SCALE<br>1:1 |
|----------------------|-----------------------|------------------------------|--------------|

|                          |
|--------------------------|
| CUSTOMER<br>TYCO-STADARD |
|--------------------------|

|           |        |   |     |
|-----------|--------|---|-----|
| TOLERANCE | 0.X    | = | +/- |
| UNLESS    | 0.XX   | = | +/- |
| SPECIFIED | 0.XXX  | = | +/- |
| OTHERWISE | ANGLES | = | +/- |



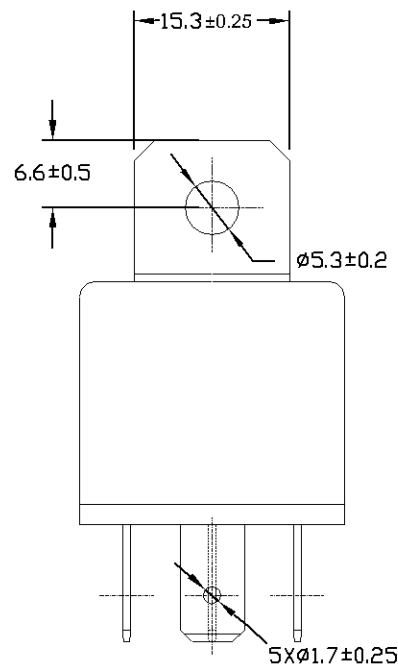
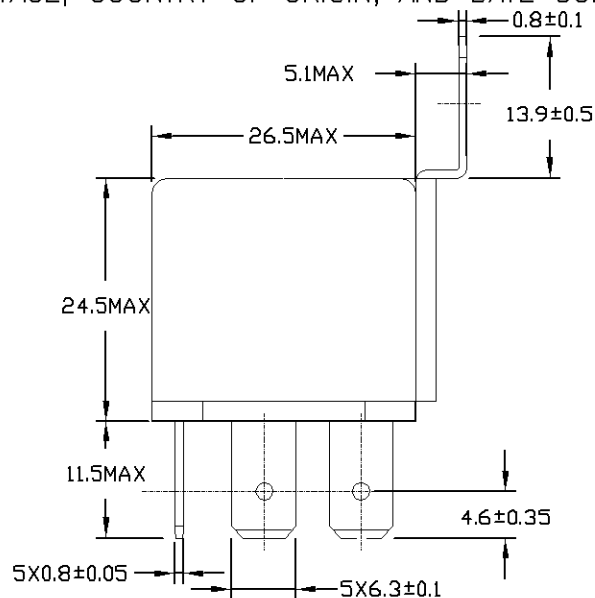
REV A

DO NOT SCALE THIS DRAWING

MILLIMETERS

MARKING TO INCLUDE:

TYCO NAME, TYCO PART NUMBER, SCHEMATIC, COIL VOLTAGE, COUNTRY OF ORIGIN, AND DATE CODE



\* TERMINAL LOCATIONS APPLY AT THE BASE OF THE TERMINALS

↑ K  
K Aspect

